

Sukkahs.com

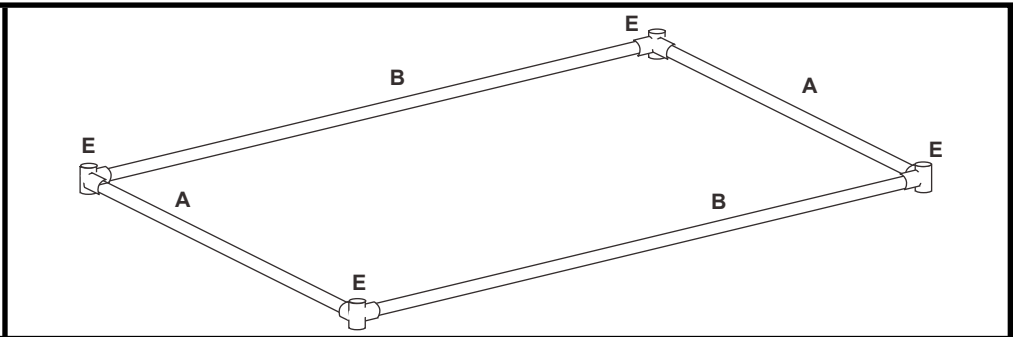
6' x 8' Canvas Sukkah Instructions

Actual Size: 5'10" X 7'7"

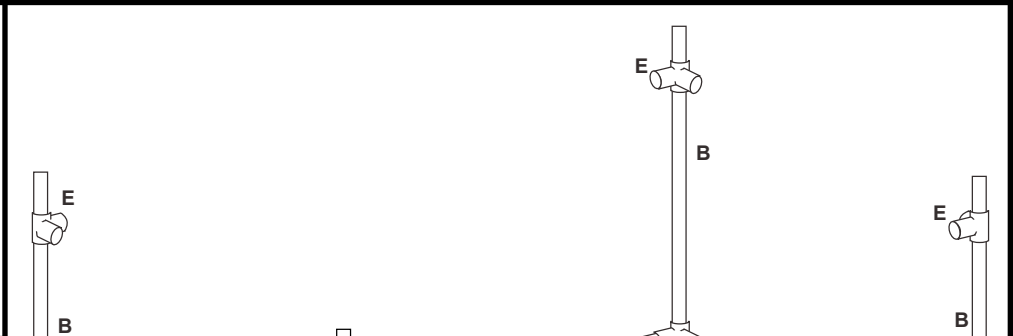
Read instructions
before assembling
Sukkah. You will
need a step ladder.



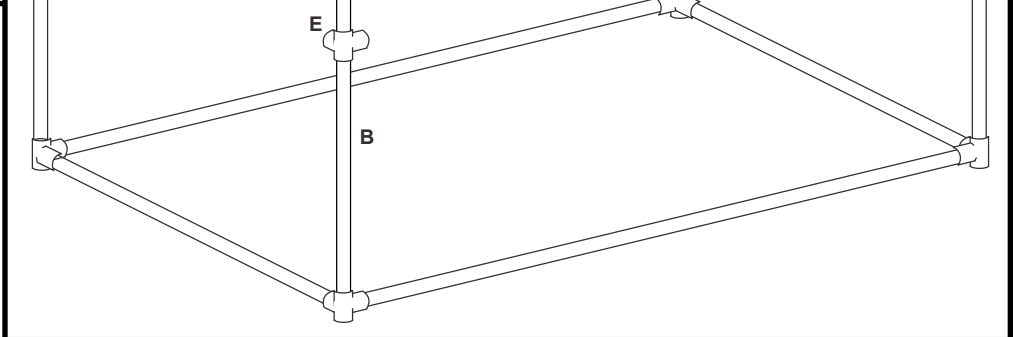
Step 1. Lay out the poles & Fittings (screws facing up) in the shape of the Sukkah. Insert poles into fittings, without blocking the hole for the upright. Then tighten screws with the hex key till tight.



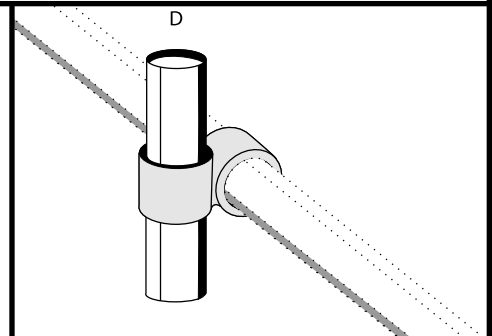
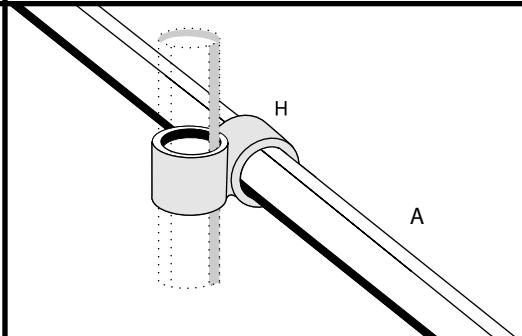
Step 2. Insert uprights into fittings till flush with the floor, and then tighten screws.



Step 3. Attach top fitting about 1-1/2 inch down on the pole (fitting can be moved up or down to tighten or loosen canvas), and then tighten screw until tight.



Step 4. Insert the (D) pole through door fitting (H) and tighten, then insert the (A) pole through the fitting (H) don't tighten before attaching canvas.



Step 5. First insert the (A) poles into fittings and tighten, then insert the (B) poles into fittings, and tighten.

